

Main features

Series	Version	Code	Item
A182	Black standard (without circuit)	032119	A18209N
	Transparent with VDR+LED, 24 V, AC-DC	032207	A18209T1
	Transparent with VDR+LED, 115 V, AC-DC	032208	A18209T2
	Transparent with VDR+LED, 230 V, AC-DC	032209	A18209T3
	Cabled black standard (without circuit)	033531	A18209NK
	Cabled black with LED+VDR, 24 V, AC-DC	033532	A18209N1K
	Cabled black with LED+VDR, 115 V, AC-DC	033533	A18209N2K
	Cabled black with LED+VDR, 230 V, AC-DC	033534	A18209N3K

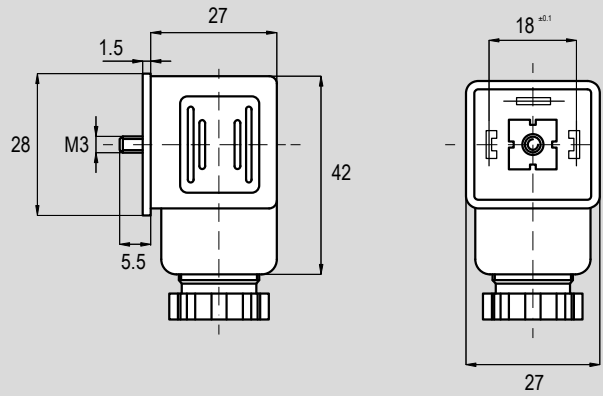


Technical data

Series	A182							
Code	032119	032207	032208	032209	033531	033532	033533	033534
Item	A18209N	A18209T1	A18209T2	A18209T3	A18209NK	A18209N1K	A18209N2K	A18209N3K
Voltage	All	24 V AC-DC	115 V AC-DC	230 V AC-DC	All	24 V AC-DC	115 V AC-DC	230 V AC-DC
Size	30 mm							
Contact distance	18 mm							
Nominal voltage	250 V AC max 300 V DC max	250 V			250 V			
Nominal current	10 A				-			
Maximum current on contacts	16 A				-			
Maximum current	-				3 A			
Contact resistance	≤ 4 m Ohm							
Maximum conductor section	1.5 mm ²				-			
Gland size	Pg 07				-			
Class protection	IP 65 EN 60529							
Insulation class	VDE 0110 - 1/89							
Temperature range	-40°C ÷ +90°C							
Earth contact (number)	1				2 connected (pos. 6/12)			
Poles number	2							
Cable length	-				2 mt.			
Cable material	-				Self-extinguishing polypropylene			
Cable color	-				Grey			
Wire color	-				Conforming to ENEL 0722 standards			
Cable external Ø	-				7.3 mm			
Cable insulation	-				300 V			
Cable temperature range	-				-5°C ÷ +70°C			
Cable standards	-				CEI 2022 II OR			
Wire section	-				3x1 mm ²			
Matching	Coils series ASA2.., series ASA32.. and series ASA34..							

Standard dimensions

Type: **A182N**
A182T



Type: **A182NK**
A182N..K

